

laptop
power
control



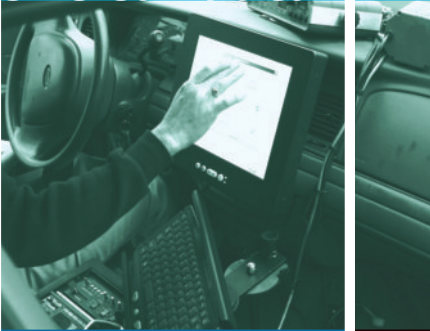
improve
vehicle
availability

DOCK MASTER

VEHICLE LAPTOP COMPUTER
POWER MANAGEMENT



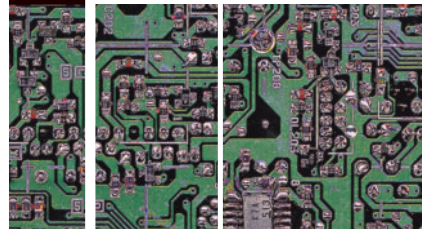
auto
shut-down
before losing
critical data



prevent laptops
from draining
batteries



Software
Included



- **Eliminate Computer Downtime** - Sudden removal of power causes a laptop's operating system to close improperly. This can create a number of difficulties resulting in computer down time. **Dock Master** has been developed to help prevent this avoidable computer down time.
- **Automatic Shutdown** - **Dock Master** warns users of pending shutdown with a five-minute warning window prior to executing safe automatic shutdown. This becomes 15-seconds when an electrical system fault is detected.
- **Low Vehicle Voltage Detection** - An electrical system fault is defined as vehicle voltage less than 10.5 volts for 30 seconds. This allows time for voltage recovery after starting the engine, turning the light bar on, etc.
- **Monitors Vehicle Voltage** - **Dock Master's** Intelligent Power Switch (DMS) monitors vehicle system voltage and ignition switch conditions, taking appropriate action when predefined levels are encountered.
- **USB Connectivity** - **Dock Master** connects to a laptop through a USB port allowing reliable data transfer without worrying about allocation of serial ports.
- **Selectively Discharge Laptop Battery** - The ability to selectively discharge a laptop battery is retained with **Dock Master** by intentional activation of the discharge feature.
- **Comes with Customizable Software** - All essential parameters for **Dock Master** can be easily customized by authorized personnel through the Graphical User Interface (GUI). GUI requires Win2000 SR3 or XP.

Copeland Engineering, LLC
PO Box 120036
Chula Vista, CA 91912-3136
Tel: 619.575.4600 • Fax: 619.575.4646
www.copelandengineering.com

Call Us Toll Free
800.357.7514



**TWO YEAR
WARRANTY**

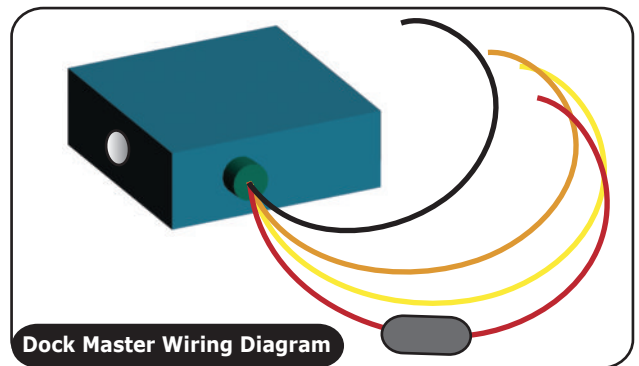
Dedicated to Providing the Highest Quality Motor
Vehicle Electrical Products and Customer Support

DOCK MASTER INSTALLATION INSTRUCTIONS

Hardware

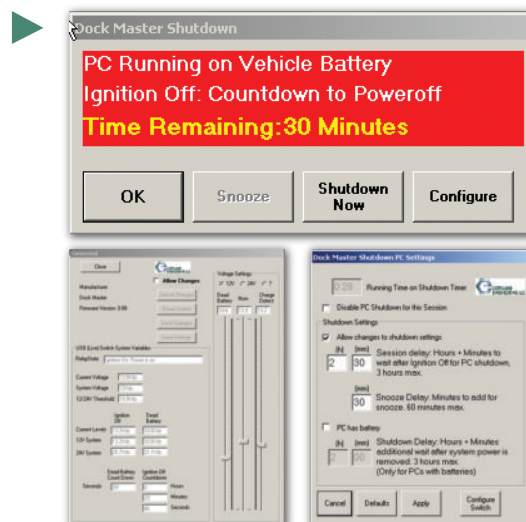
Dock Master is installed using the standard Copeland Engineering wire color codes. Remove the fuse until all voltage connections are completed.


1. The BLACK wire must connect to a good ground.
2. The RED wire is fused with a 10-amp automotive minifuse. It is connected to the vehicle electrical system.
3. The ORANGE connects to the computer DC power supply or to the docking station DC power input.
4. The YELLOW connects to any circuit that is "hot" when the ignition is either on or in accessory position. This turns **Dock Master** on immediately with the ignition and overrides the voltage sensing for engine off. It does **NOT** override the dead battery detection system. (vehicle voltage is less than 10.5 volts for 30-seconds.)
5. Reinstall the fuse and connect the USB cable between the **Dock Master** Switch and the computer.
6. Start the vehicle. The **Dock Master** will turn on.



Software

Dock Master PC software is provided on a CD-ROM. It is a self-extracting installation. Once installed, it will start during the computer boot sequence. Windows XP or 2000 with service pack 3 is required.



Operator screen appears 5 minutes prior to shutdown. This allows the operator to add time via the snooze button if they are still working in the vehicle. It can also be brought up by right-clicking the  logo in the task bar.

The "Configure" button on the operator screen opens the time configuration screen. This is where the delay time values are changed.

The "Configure Switch" button leads to the voltage configuration parameters. These values should only be adjusted by a qualified technician.

Copeland Engineering, LLC
PO Box 120036
Chula Vista, CA 91912-3136
Tel: 619.575.4600 ■ Fax: 619.575.4646
www.copelandengineering.com



Call Us Toll Free
800.357.7514